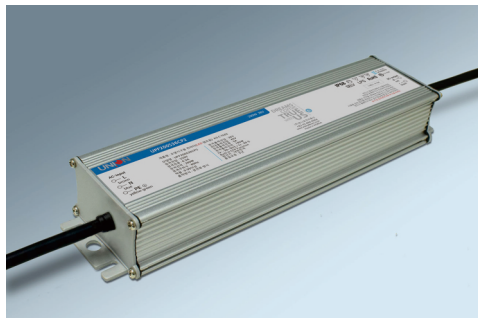


F200CP2 Series

200W single output with c.c circuit and PFC function



- **Constant current design**
- **Built-in PFC function**
- **Protections : Over load/ Over current /Short circuit/Over temperature**
- **IP68 design for outdoor installations**
- **Suitable for LED lighting and street lighting applications**
- **Safety standards : K61347-2-1,K61347-2-13,**
- **EMC standards : K00015,K61547**
- **Metal case**

IP68      SELV   

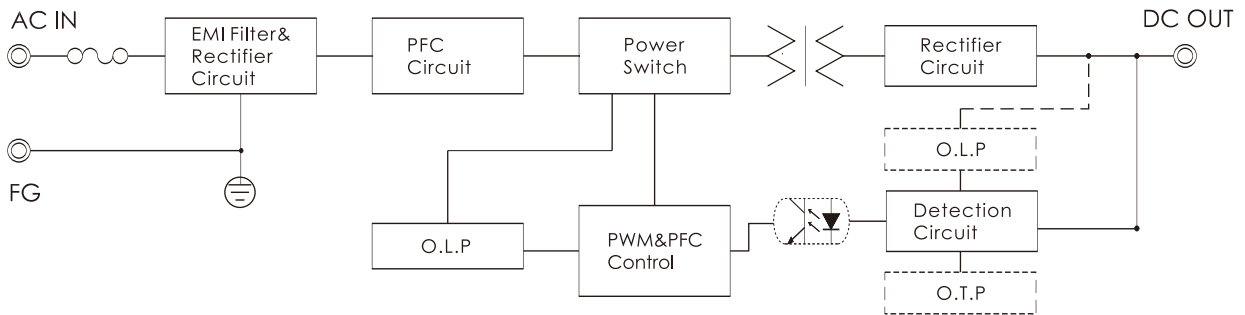
ITEM		UPF200S36CP2	UPF200S48CP2
INPUT	VOLTAGE RANGE	AC180~264V	
	FREQUENCY RANGE	47~63Hz	
	POWER FACTOR	PF>0.95 at over 75% of rated power	
	EFFICIENCY(typ.)	92%	92%
	AC CURRENT(typ.)	0.9A/220VAC(typ)	
	INRUSH CURRENT(typ.)	50A/220VAC	
	LEAKAGE CURRENT	<2.5mA / 220VAC	
OUTPUT	RATED CURRENT	5A	3.8A
	CONSTANT CURRENT REGION	26-36V	36-48V
	RATED POWER	180W	
	CURRENT ADJ. RANGE	4~6A	3~4.8A
	CURRENT ACCURACY	±5%	
	RIPPLE&NOISE(max.) Note2	150mVp-p	
	SETUP,RISE TIME(max.)	3000ms,100ms/220VAC at full load	
PROTEC-TION	OVER CURRENT Note3	Over 95~108% of rating	
	SHORT CIRCUIT	Hiccup mode ; recovers automatically after fault condition is removed	
	OVER TEMPERATURE	90±10℃(temp. Sensor) ; recovers automatically after fault condition is removed	
ISOLA-TION	WITHSTAND VOLTAGE	I/P-O/P:AC3.75KV, I/P-F.G:AC2KV, O/P-F.G:AC0.5KV	
	ISOLATION RESISTANCE	I/P-O/P, I/P-F.G, O/P-F.G:DC500V 100Mohms(At room temp. & humid.)	
ENVIRON-MENT	WORKING TEMP.&HUMID.	-30~+50℃(Refer to "DERATING CURVE),20~95%RH	
	STORAGE TEMP.&HUMID.	-40~+80℃,10~95%RH	
	VIBRATION	10~500Hz, 5G 12min./1cycle, period for 72min. each along X, Y, Z axes	
OTHERS	DIMENSION/WEIGHT	253*61.5*37.1mm(L*W*H)/0.9Kg	
NOTE	<p>1. All parameters not specially mentioned are measured at 220vac input, rated load and 25℃ of ambient temperature.</p> <p>2. Ripple & noise are measured at 20MHz of bandwidth by using a 12" twisted pare-wire terminated with 0.1 uF & 47uF parallel capacitor.</p> <p>3. Refer to "DRIVING METHODS of LED MODULE"</p> <p>4. Turn on the AC switch after connecting the driver and the LED load</p>		

S.M.P.S

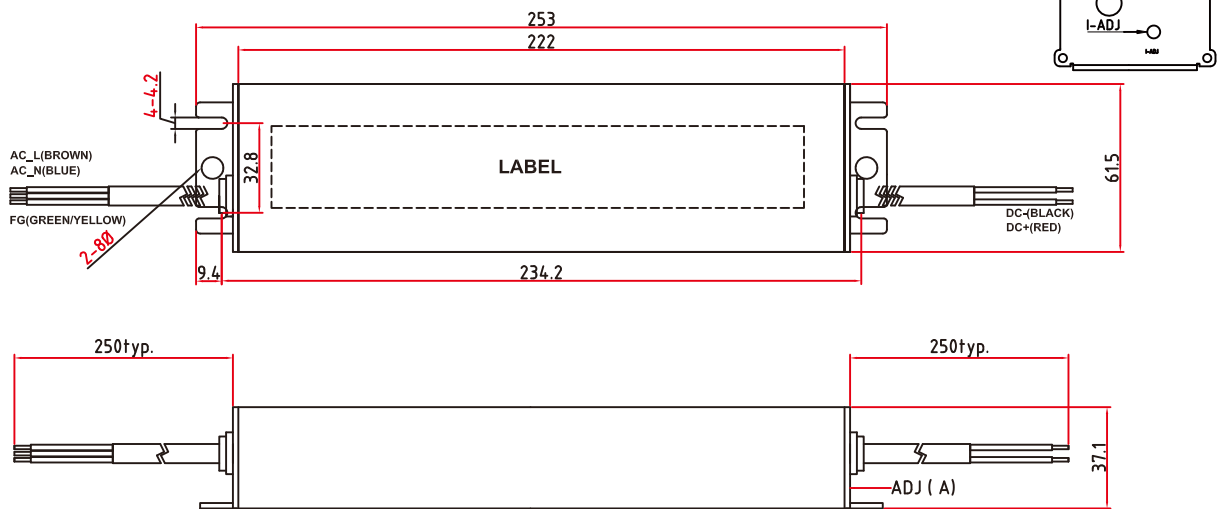
LED Converter

Water Proof Converter

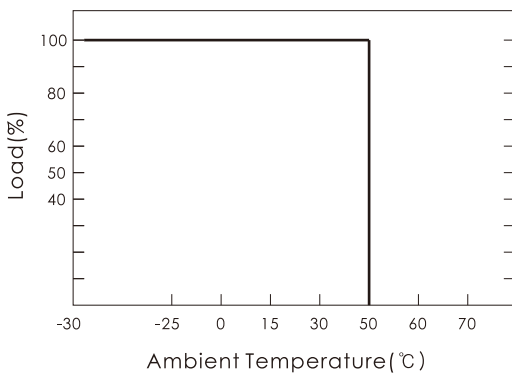
■ BLOCK DIAGRAM



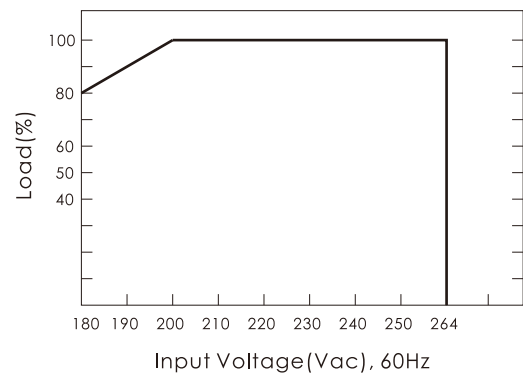
■ DIMENSIONS (unit:mm)



■ DERATING CURVE

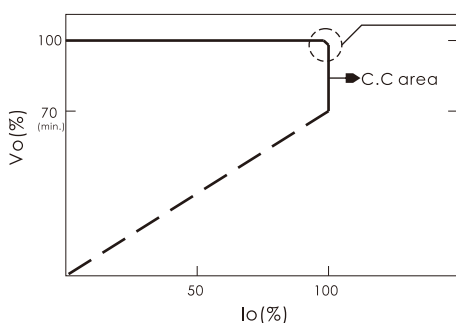


■ STATIC CHARACTERISTICS



■ DRIVING METHODS of LED MODULE

• This series works in constant current mode to directly drive the LEDs



In the constant current region, the highest voltage at the output of the driver depends on the configuration of the systems.