

F60CP2 Series

60W single output with C.C circuit and PFC function



- **Constant current design**
- **Built-in PFC function**
- **Protections:Over current /Over voltage /Short circuit**
- **IP68 design for outdoor installations**
- **100% full load burn-in test**
- **Suitable for LED lighting and street lighting applications**
- **Safety standards : K61347-1,K61347-2-13**
- **EMC standards : K00015,K61547**
- **Metal case**

IP68     SELV   

| ITEM | | UPF60S48CP2 |
|--------------------|---------------------------|---|
| INPUT | VOLTAGE RANGE | AC180~264V |
| | FREQUENCY RANGE | 47~63Hz |
| | POWER FACTOR | PF>0.9 at over 60% of rated power |
| | EFFICIENCY(typ.) | 88%(at 220Vac) |
| | AC CURRENT(typ.) | 0.32A/230VAC |
| | INRUSH CURRENT(typ.) | 5A/230VAC |
| | LEAKAGE CURRENT | <2.5mA / 230VAC |
| OUTPUT | RATED CURRENT | 1.25A |
| | CONSTANT CURRENT REGION | 28.8-48V |
| | RATED POWER | 60W |
| | CURRENT ADJ. RANGE | 0.4~1.25A |
| | CURRENT ACCURACY | ±5% |
| | RIPPLE&NOISE(max.) Note2 | 150mVp-p |
| | SETUP,RISE TIME(max.) | 3000ms,100ms/230VAC at full load |
| HOLD UP TIME(typ.) | 100ms/230VAC at full load | |
| PROTEC-TION | OVER CURRENT Note3 | 95~108% of rating ; recovers automatically after fault condition is removed |
| | SHORT CIRCUIT | Hiccup mode ; recovers automatically after fault condition is removed |
| | OVER VOLTAGE | 110~140% of rating |
| ISOLA-TION | WITHSTAND VOLTAGE | I/P-O/P:AC3.75KV, I/P-F.G:AC2KV, O/P-F.G:AC1.5KV |
| | ISOLATION RESISTANCE | I/P-O/P, I/P-F.G, O/P-F.G:DC500V 100Mohms(At room temp. & humid.) |
| ENVIRON-MENT | WORKING TEMP.&HUMID. | -40~+70℃ (Refer to "DERATING CURVE),20~95%RH |
| | STORAGE TEMP.&HUMID. | -40~+80℃,10~95%RH |
| | VIBRATION | 10~500Hz, 5G 12min./1cycle, period for 72min. each along X, Y, Z axes |
| OTHERS | DIMENSION/WEIGHT | 174*61.5*37.1mm(L*W*H)/0.60Kg |

NOTE

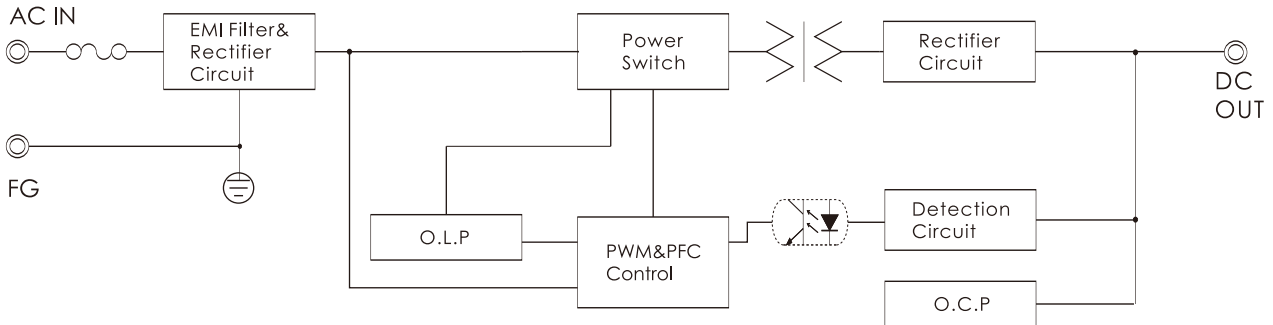
1. All parameters not specially mentioned are measured at 220vac input, rated load and 25℃ of ambient temperature.
2. Ripple & noise are measured at 20MHz of bandwidth by using a 12" twisted pair-wire terminated with 0.1 uF & 47uF parallel capacitor.
3. Refer to "DRIVING METHODS of LED MODULE"

S.M.P.S

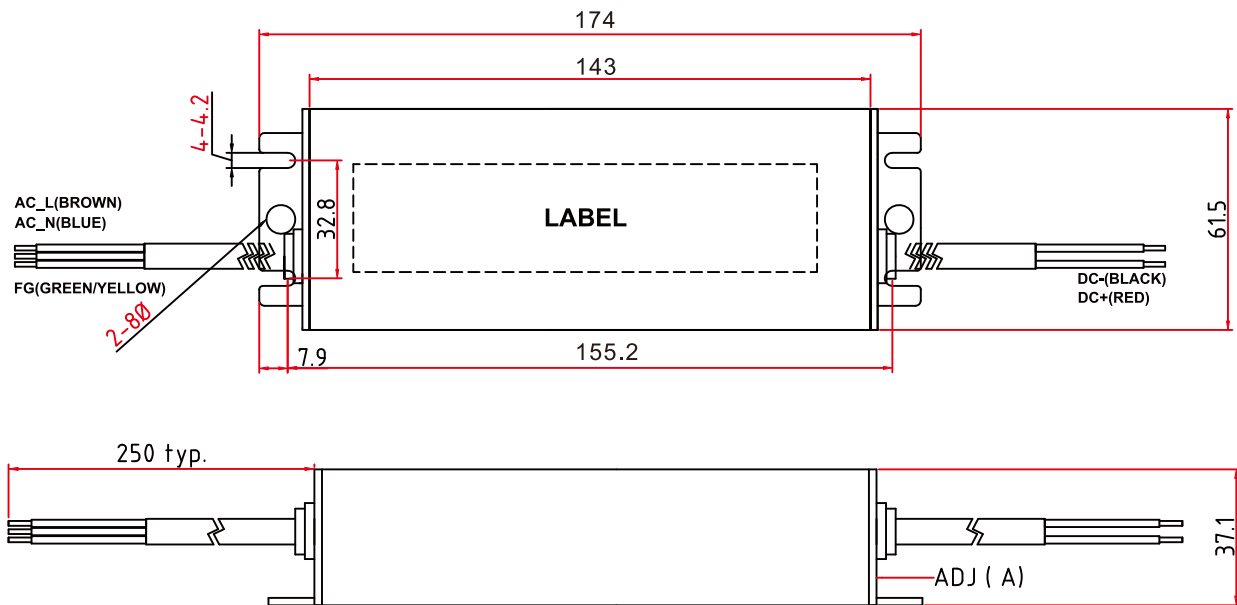
LED Converter

Water Proof Converter

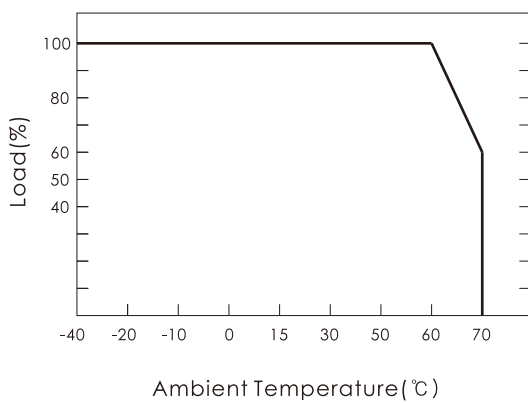
■ BLOCK DIAGRAM



■ DIMENSIONS(unit:mm)



■ DERATING CURVE



■ STATIC CHARACTERISTICS

