

S.M.P.S

LED Converter

Water Proof Converter

## 40W2(V1)M

Metal case, 40W single output with constant voltage circuit



- Constant voltage design(C.V. mode)
- AC Input voltage 160-277V
- Protections:  
Over load/Over voltage /Short circuit /Over temperature
- IP68 design for outdoor installations
- 100% full load burn-in test
- Suitable for LED lighting and moving sign applications
- Metal case
- Safety standards : EN61347-1, EN61347-2-13 /K61347-1, K61347-2-13
- EMC standards : EN55022, EN61204-3, EN61000-3-2,3/K00015, K61547
- 3years warranty

IP68 SELV LPS CE

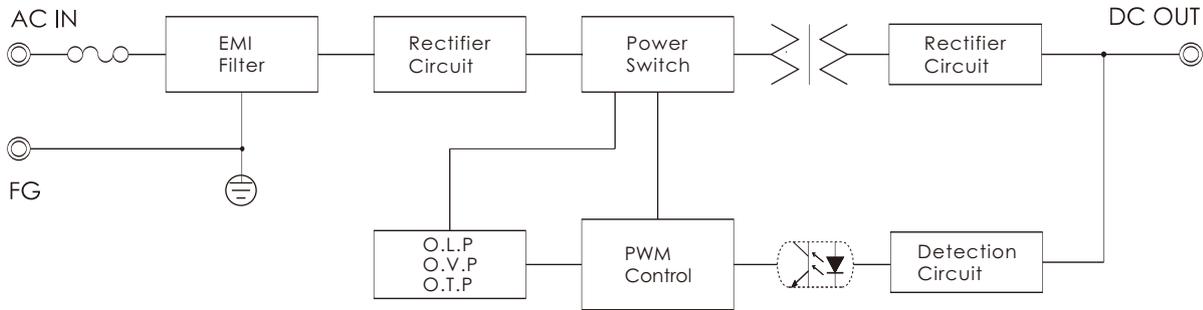
| ITEM               |                          | UP40S12W2(V1)M  | UP40S24W2(V1)M |
|--------------------|--------------------------|---|----------------|
| INPUT              | VOLTAGE RANGE            | AC160~277V  |                |
|                    | FREQUENCY RANGE          | 47~63Hz   |                |
|                    | EFFICIENCY(typ.)         | 84%   | 86%            |
|                    | AC CURRENT(typ.)         | 0.35A/230VAC  |                |
|                    | INRUSH CURRENT(typ.)     | COLD START 40A/230VAC   |                |
| OUTPUT             | DC VOLTAGE               | 12V   | 24V            |
|                    | RATED CURRENT            | 3.33A   | 1.66A          |
|                    | RATED POWER              | 40W   | 40W            |
|                    | RIPPLE&NOISE(max.) Note2 | 220mVp-p  | 340mVp-p       |
|                    | VOLTAGE ADJ. RANGE       | ±5%   |                |
|                    | VOLTAGE TOLERANCE Note3  | ±3%   |                |
|                    | LINE REGULATION Note4    | ±1%   |                |
|                    | LOAD REGULATION Note5    | ±2%   |                |
|                    | SETUP,RISE TIME(max.)    | 3000ms,100ms/230VAC at full load  |                |
| HOLD UP TIME(typ.) | 50ms/230VAC at full load |   |                |
| PROTEC-TION        | SHORT CIRCUIT            | Hiccup mode ; recovers automatically after fault condition is removed           |                |
|                    | OVERLOAD                 | Over 110% of rating ; recovers automatically after fault condition is removed   |                |
|                    | OVER VOLTAGE             | 115~140% of rating  |                |
|                    | OVER TEMPERATURE         | 85±10℃ (temp. Sensor) ; recovers automatically after fault condition is removed |                |
| ISOLA-TION         | WITHSTAND VOLTAGE        | I/P-O/P:AC3KV, I/P-F.G:AC1.5KV, O/P-F.G:AC0.5KV                                 |                |
|                    | ISOLATION RESISTANCE     | I/P-O/P, I/P-F.G, O/P-F.G:DC500V 100Mohms(At room temp. & humid.)               |                |
| ENVIRON-MENT       | WORKING TEMP.&HUMID.     | -40~+70℃ (Refer to "DERATING CURVE"), 20~95%RH                                  |                |
|                    | STORAGE TEMP.&HUMID.     | -40~+75℃, 10~95%RH  |                |
|                    | VIBRATION                | 10~500Hz, 2G 10min./1cycle, period for 60min. each along X, Y, Z axes           |                |
| OTHERS             | DIMENSION/WEIGHT         | 171x48.1x36.8mm(L*W*H)/0.4kg  |                |

NOTE

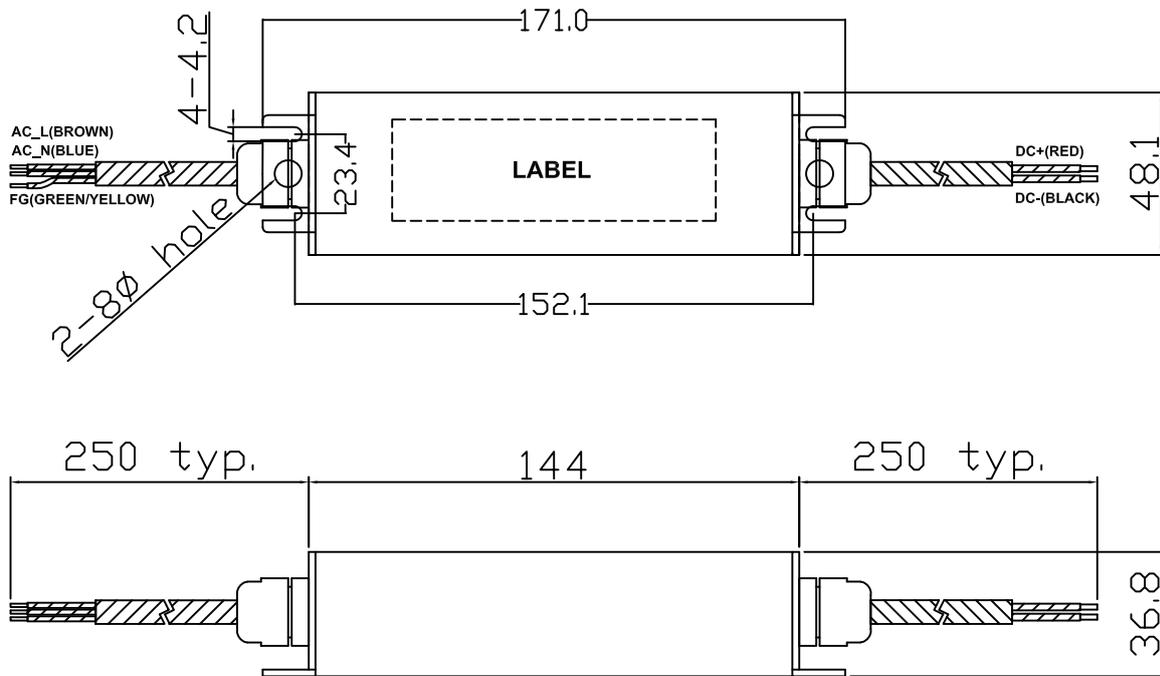
1. All parameters not specially mentioned are measured at 230vac input, rated load and 25℃ of ambient temperature.
2. Ripple & noise are measured at 20MHz of bandwidth by using a 12" twisted pare-wire terminated with 0.1 uF & 47uF parallel capacitor.
3. Tolerance : includes set up tolrance, line regulation and load regulation.
4. Line regulation is measured from low line to high line at rated load.
5. Load regulation is measured from low 0% to 100% rated load.

S.M.P.S
LED Converter
Water Proof Converter

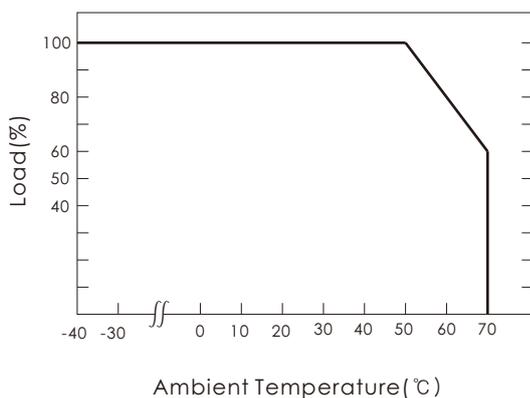
## ■ BLOCK DIAGRAM



## ■ DIMENSIONS(unit:mm)



## ■ DERATING CURVE



## ■ STATIC CHARACTERISTICS

