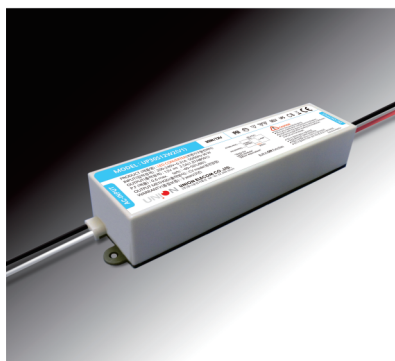


30W2(V1) Series

30W single output
with constant voltage circuit



- **Constant voltage design(C.V. mode)**
- **AC Input voltage 160-277V**
- **Protections:**
Over load/Over voltage /Short circuit
- **IP68 design for outdoor installations**
- **100% full load burn-in test**
- **Suitable for LED lighting and moving sign applications**
- **Plastic case**
- **Safety standards : EN61347-1,EN61347-2-13 /K61347-1,K61347-2-13**
- **EMC standards : EN55022,EN61204-3, EN61000-3-2,3/K00015,K61547**
- **3years warranty**

IP68  SELV LPS CB CE

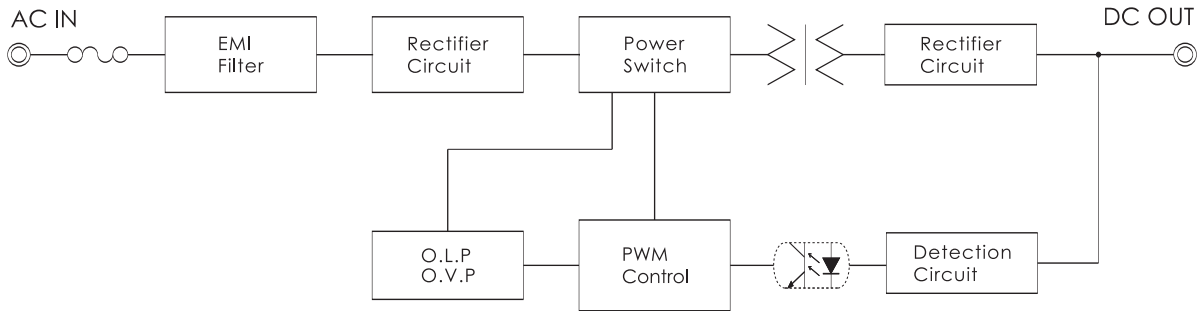
ITEM		UP30S12W2(V1)	UP30S24W2(V1)
INPUT	VOLTAGE RANGE	AC160~277V	
	FREQUENCY RANGE	47~63Hz	
	EFFICIENCY(typ.)	83%	84%
	AC CURRENT(typ.)	0.26A/230VAC	
	INRUSH CURRENT(typ.)	COLD START 70A/230VAC	
OUTPUT	DC VOLTAGE	12V	24V
	RATED CURRENT	2.5A	1.25A
	RATED POWER	30W	30W
	RIPPLE&NOISE(max.) Note2	220mVp-p	290mVp-p
	VOLTAGE TOLERANCE Note3	±3%	±3%
	LINE REGULATION Note4	±1%	±1%
	LOAD REGULATION Note5	±2%	±2%
	SETUP,RISE TIME(max.)	3000ms,100ms/230VAC at full load	
HOLD UP TIME(typ.)	25ms/230VAC at full load		
PROTEC-TION	SHORT CIRCUIT	Hiccup mode ; recovers automatically after fault condition is removed	
	OVERLOAD	Over 110% of rating ; recovers automatically after fault condition is removed	
	OVER VOLTAGE	Over 110% of rating ; recovers automatically after fault condition is removed	
ISOLA-TION	WITHSTAND VOLTAGE	I/P-O/P:AC3KV	
	ISOLATION RESISTANCE	I/P-O/P : DC500V 100Mohms(At room temp. & humid.)	
ENVIRON-MENT	WORKING TEMP.&HUMID.	-40~+70℃ (Refer to "DERATING CURVE"),20~95%RH	
	STORAGE TEMP.&HUMID.	-40~+75℃,10~95%RH	
	VIBRATION	10~500Hz, 2G 10min./1cycle, period for 60min. each along X, Y, Z axes	
OTHERS	DIMENSION/WEIGHT	151.5*35.5*25.5mm(L*W*H)/0.14Kg	
NOTE	<p>1. All parameters not specially mentioned are measured at 230vac input, rated load and 25℃ of ambient temperature.</p> <p>2. Ripple & noise are measured at 20MHz of bandwidth by using a 12" twisted pare-wire terminated with 0.1 uF & 47uF parallel capacitor.</p> <p>3. Tolerance : includes set up tolrance, line regulation and load regulation.</p> <p>4. Line regulation is measured from low line to high line at rated load.</p> <p>5. Load regulation is measured from low 0% to 100% rated load.</p>		

S.M.P.S

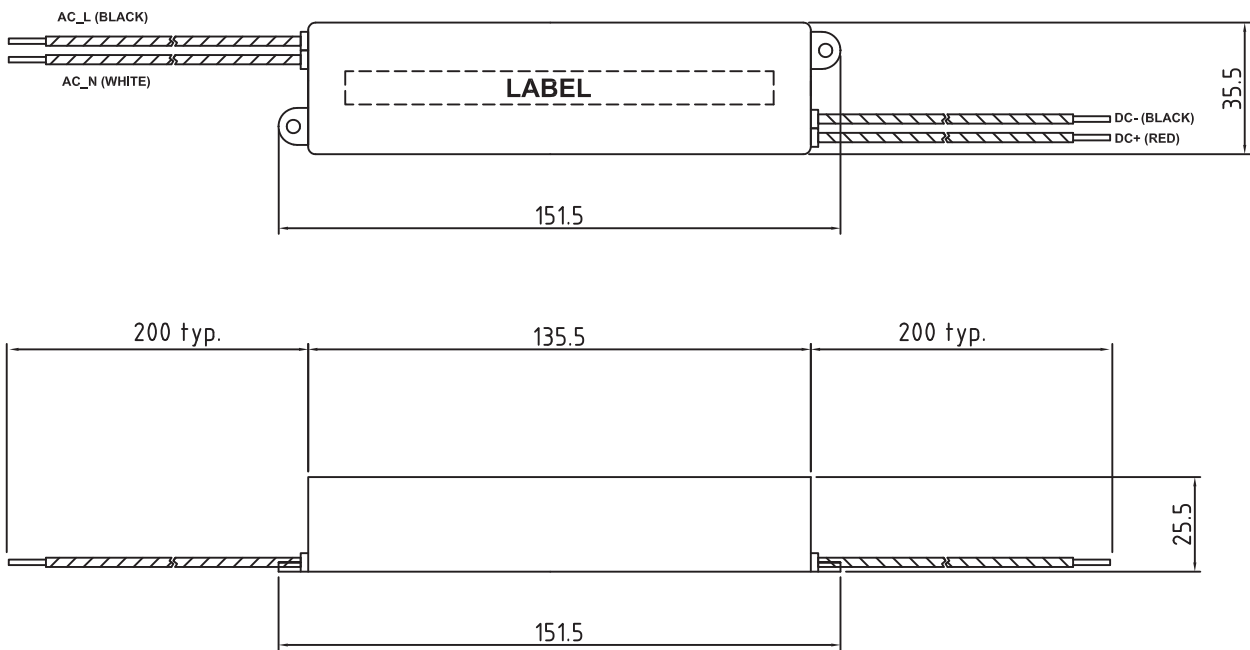
LED Converter

Water Proof Converter

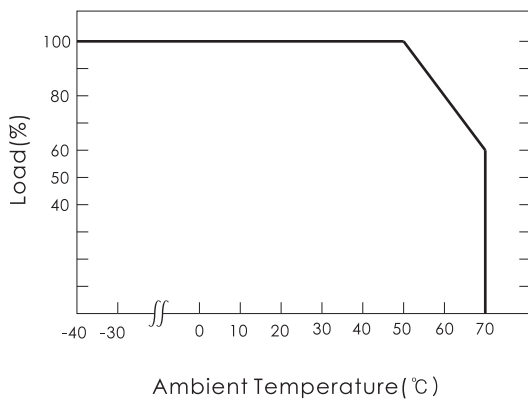
■ BLOCK DIAGRAM



■ DIMENSIONS(unit:mm)



■ DERATING CURVE



■ STATIC CHARACTERISTICS

