

100W2(V1)P Series

100W single output
with constant voltage circuit



- **Constant voltage design(C.V. mode)**
- **AC Input voltage 160-277V**
- **Protections:**
Over load/Over voltage /Short circuit
- **IP68 design for outdoor installations**
- **100% full load burn-in test**
- **Suitable for LED lighting and moving sign applications**
- **Plastic case**
- **Safety standards : EN61347-1,EN61347-2-13 /K61347-1,K61347-2-13**
- **EMC standards : EN55022,EN61204-3, EN61000-3-2,3/K00015,K61547**
- **3years warranty**

IP68  SELV LPS CB CE

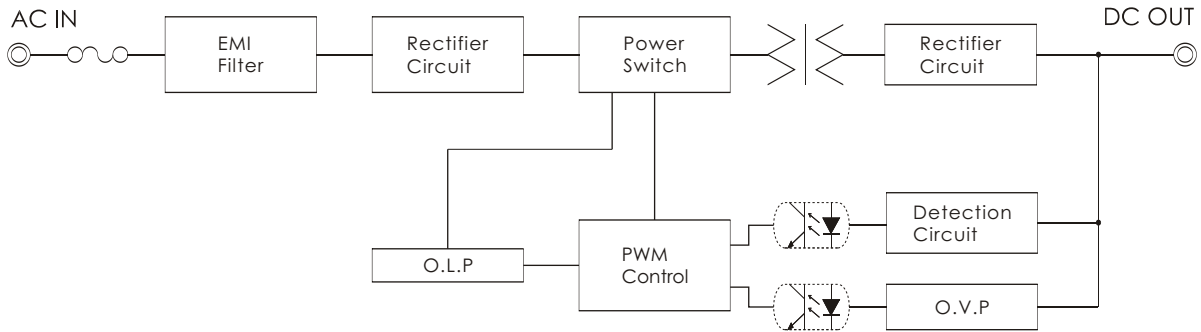
ITEM		UP100S12W2(V1)P
INPUT	VOLTAGE RANGE	AC160~277V
	FREQUENCY RANGE	47~63Hz
	EFFICIENCY(typ.)	85%
	AC CURRENT(typ.)	0.9A/230VAC
	INRUSH CURRENT(typ.)	COLD START 60A/230VAC
OUTPUT	DC VOLTAGE	12V
	RATED CURRENT	8.33A
	RATED POWER	100W
	RIPPLE&NOISE(max.) Note2	170mVp-p
	VOLTAGE ADJ. RANGE	±5%
	VOLTAGE TOLERANCE Note3	±3%
	LINE REGULATION Note4	±1%
	LOAD REGULATION Note5	±2%
	SETUP,RISE TIME(max.)	3000ms,100ms/230VAC at full load
HOLD UP TIME(typ.)	30ms/230VAC at full load	
PROTEC-TION	SHORT CIRCUIT	Hiccup mode ; recovers automatically after fault condition is removed
	OVERLOAD	Over 110% of rating ; recovers automatically after fault condition is removed
	OVER VOLTAGE	115~140% of rating
ISOLA-TION	WITHSTAND VOLTAGE	I/P-O/P:AC3KV
	ISOLATION RESISTANCE	I/P-O/P:DC500V 100Mohms(At room temp. & humid.)
ENVIRON-MENT	WORKING TEMP.&HUMID.	-40~+70℃ (Refer to "DERATING CURVE"),20~95%RH
	STORAGE TEMP.&HUMID.	-40~+75℃,10~95%RH
	VIBRATION	10~500Hz, 5G 12min./1cycle, period for 72min. each along X, Y, Z axes
OTHERS	DIMENSION/WEIGHT	200*51.5*40mm(L*W*H)/0.54kg
NOTE	1. All parameters not specially mentioned are measured at 230vac input, rated load and 25℃ of ambient temperature. 2. Ripple & noise are measured at 20MHZ of bandwidth by using a 12" twisted pare-wire terminated with 0.1 uF & 47uF parallel capacitor. 3. Tolerance : includes set up tolrance, line regulation and load regulation. 4. Line regulation is measured from low line to high line at rated load. 5. Load regulation is measured from low 0% to 100% rated load.	

S.M.P.S

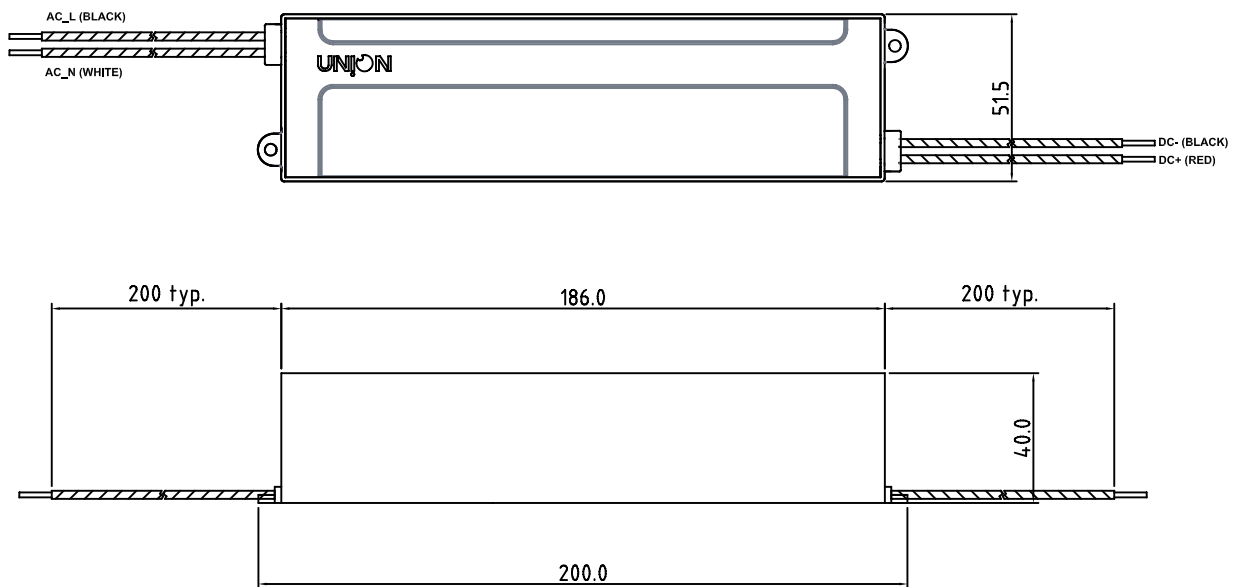
LED Converter

Water Proof Converter

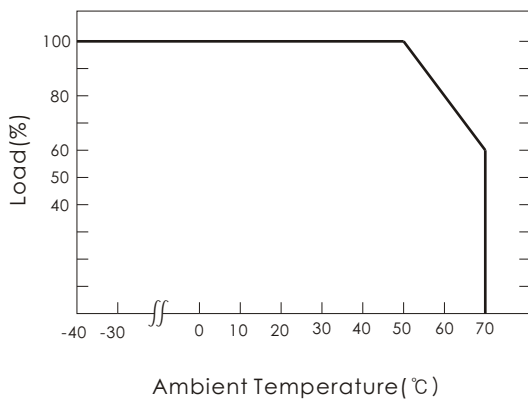
■ BLOCK DIAGRAM



■ DIMENSIONS(unit:mm)



■ DERATING CURVE



■ STATIC CHARACTERISTICS

