

# TBI Series



## BOLT/Inverter 3-Phase

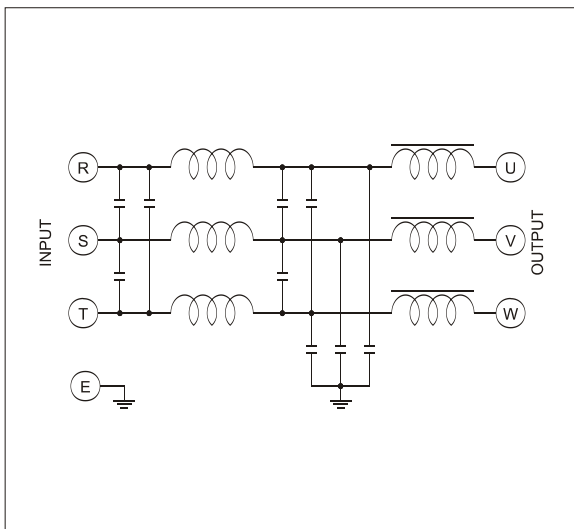
- 10Amp 250V/450V
- Excellent Filtering for Normal Mode and Common Mode Noise
- Low Leakage
- Bolt Terminals
- Suitable for Inverters
- Ordering Information

UFXXTBI-LI	250V for INPUT
UFXXTBI-LO	250V for OUTPUT
UFXXTBI-HI	450V for INPUT
UFXXTBI-HO	450V for OUTPUT

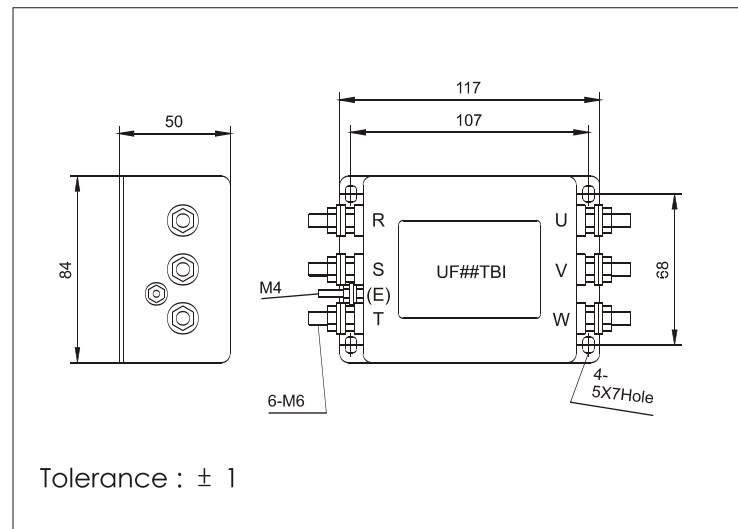
### SPECIFICATIONS

Item	UF10TBI-XX	Unit
RATED CURRENT	10	A
RATED VOLTAGE	250 Max/450 Max	V
TEST VOLTAGE	1,500Vrms between line and earth for 1 minute	/
ISOLATION RESISTANCE	500Vdc 300Mohm between line and earth	/
LEAKAGE CURRENT	2 Max	mA
TEMPERATURE RISE	40 Max	°C
OPERATING TEMPERATURE	-25 ~ +85	°C

### BLOCK DIAGRAM



### DIMENSIONS(UNITS : MM)



# TBI Series



## BOLT/Inverter 3-Phase

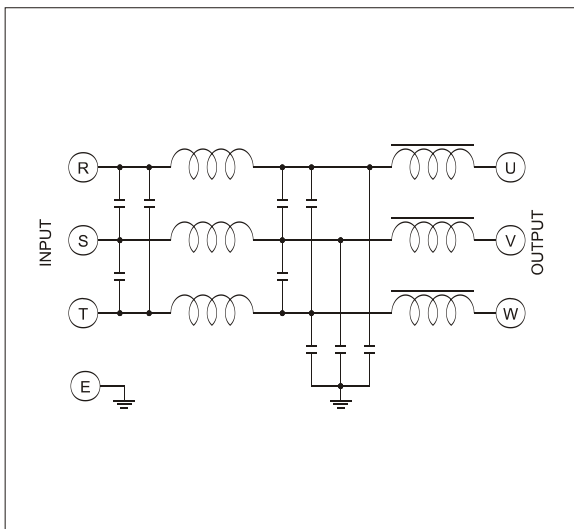
- 20 - 60Amp 250V/450V
- Excellent Filtering for Normal Mode and Common Mode Noise
- Low Leakage
- Bolt Terminals
- Suitable for Inverters
- Ordering Information

UFXXTBI-LI	250V for INPUT
UFXXTBI-LO	250V for OUTPUT
UFXXTBI-HI	450V for INPUT
UFXXTBI-HO	450V for OUTPUT

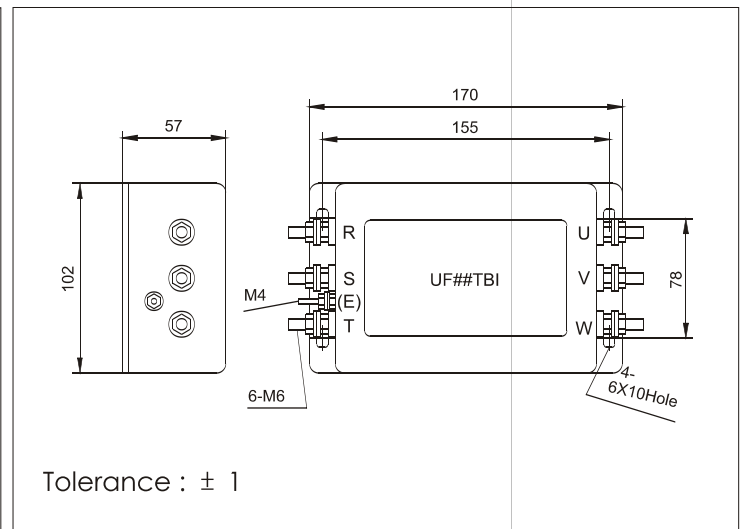
### SPECIFICATIONS

Item	UF20TBI-XX	UF30TBI-XX	UF40TBI-XX	UF60TBI-XX	Unit
RATED CURRENT	20	30	40	60	A
RATED VOLTAGE	250 Max/450 Max				V
TEST VOLTAGE	1,500Vrms between line and earth for 1 minute				/
ISOLATION RESISTANCE	500Vdc 300Mohm between line and earth				/
LEAKAGE CURRENT	2 Max				mA
TEMPERATURE RISE	40 Max				°C
OPERATING TEMPERATURE	-25 ~ +85				°C

### BLOCK DIAGRAM



### DIMENSIONS(UNITS : MM)



# TBI Series



## BOLT/Inverter 3-Phase

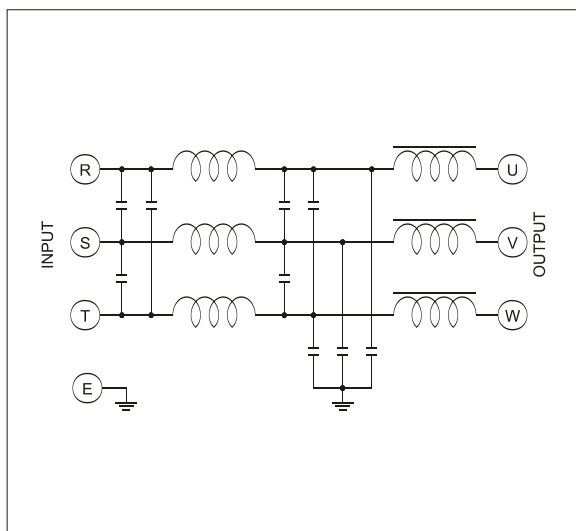
- **80Amp 250V/450V**
- **Excellent Filtering for Normal Mode and Common Mode Noise**
- **Low Leakage**
- **Bolt Terminals**
- **Suitable for Inverters**
- **Ordering Information**

UFXXTBI-LI	250V for INPUT
UFXXTBI-LO	250V for OUTPUT
UFXXTBI-HI	450V for INPUT
UFXXTBI-HO	450V for OUTPUT

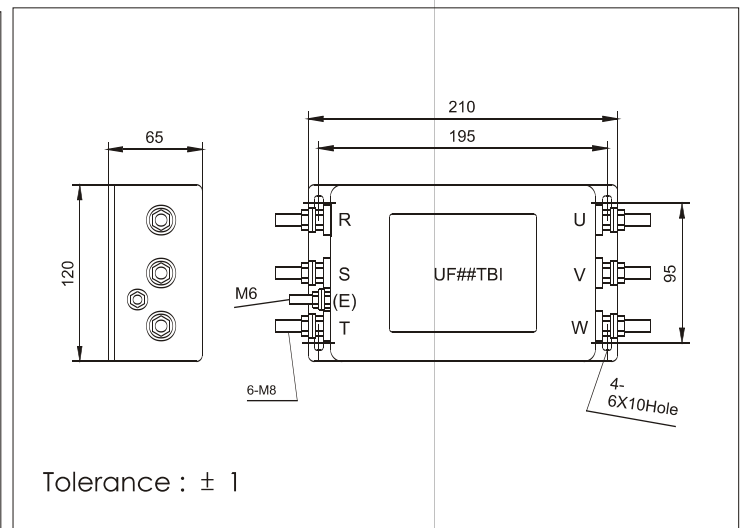
### SPECIFICATIONS

Item	UF80TBI-XX	Unit
RATED CURRENT	<b>80</b>	A
RATED VOLTAGE	250 Max/450 Max	V
TEST VOLTAGE	1,500Vrms between line and earth for 1 minute	/
ISOLATION RESISTANCE	500Vdc 300Mohm between line and earth	/
LEAKAGE CURRENT	2 Max	mA
TEMPERATURE RISE	40 Max	°C
OPERATING TEMPERATURE	-25 ~ +85	°C

### BLOCK DIAGRAM



### DIMENSIONS(UNITS : MM)



# TBI Series



## BOLT/Inverter 3-Phase

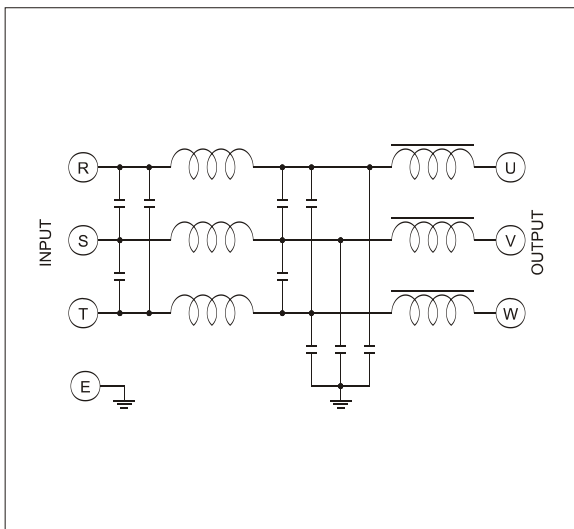
- 100 - 150Amp 250V/450V
- Excellent Filtering for Normal Mode and Common Mode Noise
- Low Leakage
- Bolt Terminals
- Suitable for Inverters
- Ordering Information

UFXXTBI-LI	250V for INPUT
UFXXTBI-LO	250V for OUTPUT
UFXXTBI-HI	450V for INPUT
UFXXTBI-HO	450V for OUTPUT

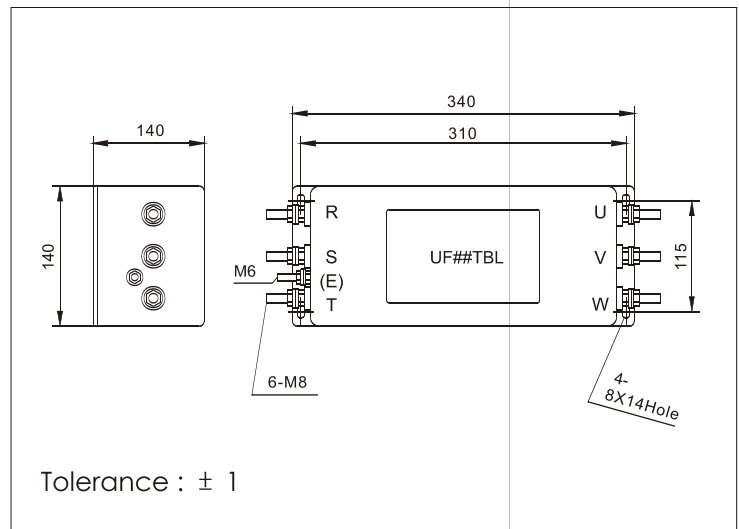
### SPECIFICATIONS

Item	UF100TBI-XX	UF120TBI-XX	UF150TBI-XX	Unit
RATED CURRENT	<b>100</b>	<b>120</b>	<b>150</b>	A
RATED VOLTAGE	250 Max/450 Max			V
TEST VOLTAGE	1,500Vrms between line and earth for 1 minute			/
ISOLATION RESISTANCE	500Vdc 300Mohm between line and earth			/
LEAKAGE CURRENT	2 Max			mA
TEMPERATURE RISE	40 Max			°C
OPERATING TEMPERATURE	-25 ~ +85			°C

### BLOCK DIAGRAM



### DIMENSIONS(UNITS : MM)



# TBI Series



## BOLT/Inverter 3-Phase

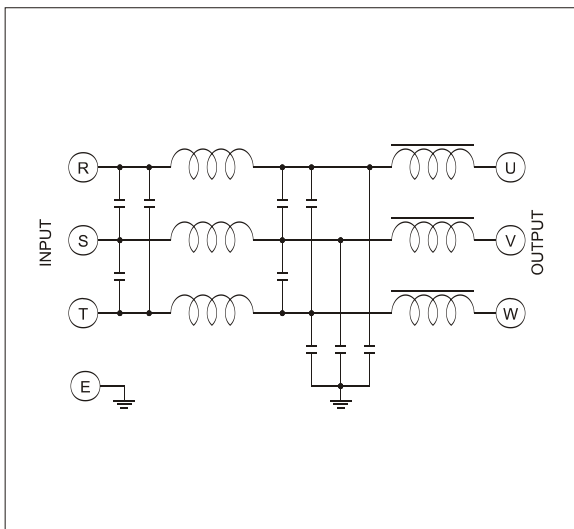
- 190 - 260Amp 250V/450V
- Excellent Filtering for Normal Mode and Common Mode Noise
- Low Leakage
- Bolt Terminals
- Suitable for Inverters
- Ordering Information

UFXXTBI-LI	250V for INPUT
UFXXTBI-LO	250V for OUTPUT
UFXXTBI-HI	450V for INPUT
UFXXTBI-HO	450V for OUTPUT

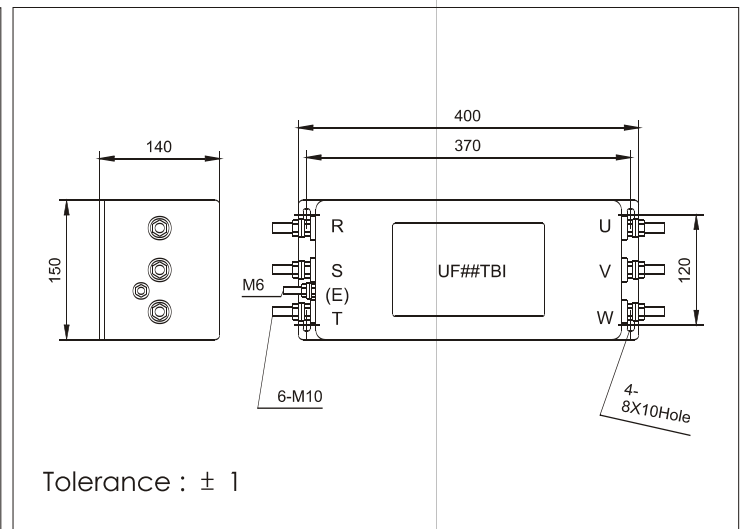
### SPECIFICATIONS

Item	UF190TBI-XX	UF260TBI-XX	Unit
RATED CURRENT	190	260	A
RATED VOLTAGE	250 Max/450 Max		V
TEST VOLTAGE	1,500Vrms between line and earth for 1 minute		/
ISOLATION RESISTANCE	500Vdc 300Mohm between line and earth		/
LEAKAGE CURRENT	2 Max		mA
TEMPERATURE RISE	40 Max		°C
OPERATING TEMPERATURE	-25 ~ +85		°C

### BLOCK DIAGRAM



### DIMENSIONS(UNITS : MM)



# TBI Series



## BOLT/Inverter 3-Phase

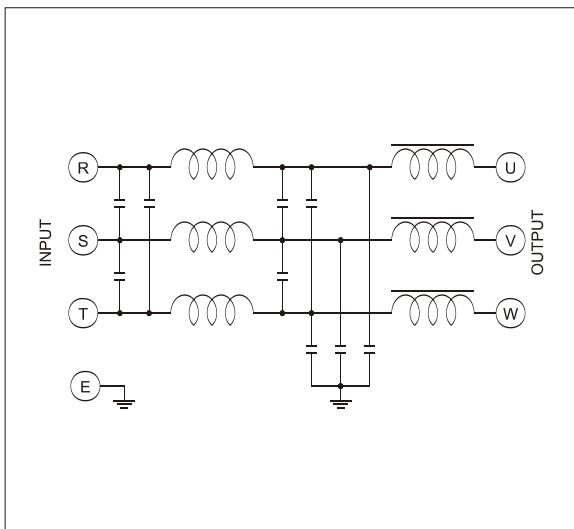
- **380-450Amp 250V/450V**
- **Excellent Filtering for Normal Mode and Common Mode Noise**
- **Low Leakage**
- **Bolt Terminals**
- **Suitable for Inverters**
- **Ordering Information**

UFXXTBI-LI	250V for INPUT
UFXXTBI-LO	250V for OUTPUT
UFXXTBI-HI	450V for INPUT
UFXXTBI-HO	450V for OUTPUT

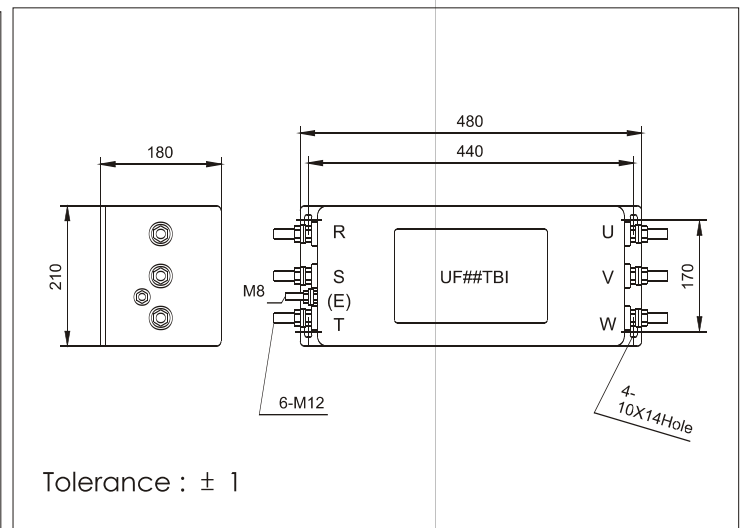
### SPECIFICATIONS

Item	UF380TBI-XX	UF450TBI-XX	Unit
RATED CURRENT	<b>380</b>	<b>450</b>	A
RATED VOLTAGE	250 Max/450 Max		V
TEST VOLTAGE	1,500Vrms between line and earth for 1 minute		/
ISOLATION RESISTANCE	500Vdc 300Mohm between line and earth		/
LEAKAGE CURRENT	2 Max		mA
TEMPERATURE RISE	40 Max		°C
OPERATING TEMPERATURE	-25 ~ +85		°C

### BLOCK DIAGRAM



### DIMENSIONS(UNITS : MM)



# TBI Series



## BOLT/Inverter 3-Phase

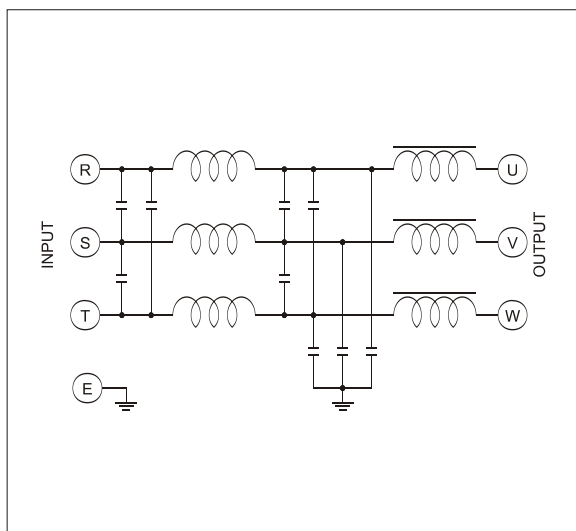
- **660 - 1000Amp 250V/450V**
- **Excellent Filtering for Normal Mode and Common Mode Noise**
- **Low Leakage**
- **Bolt Terminals**
- **Suitable for Inverters**
- **Ordering Information**

UFXXTBI-LI	250V for INPUT
UFXXTBI-LO	250V for OUTPUT
UFXXTBI-HI	450V for INPUT
UFXXTBI-HO	450V for OUTPUT

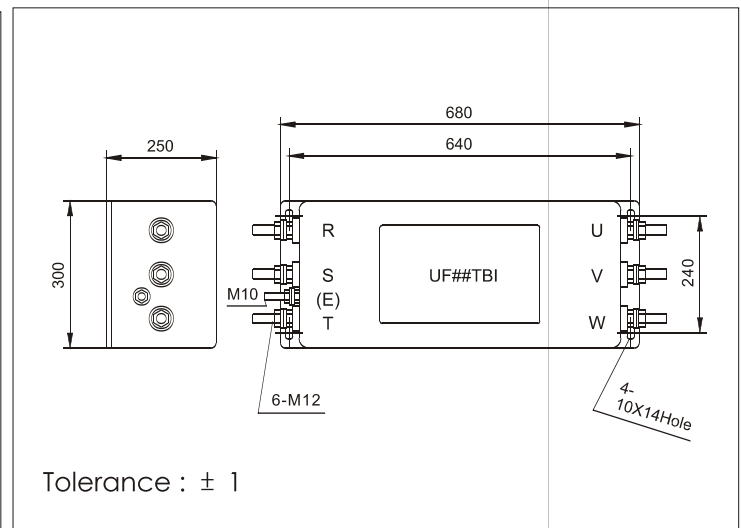
### SPECIFICATIONS

Item	UF660TBI-XX	UF750TBI-XX	UF880TBI-XX	UF1000TBI-XX	Unit
RATED CURRENT	<b>660</b>	<b>750</b>	<b>880</b>	<b>1000</b>	A
RATED VOLTAGE	250 Max/450 Max				V
TEST VOLTAGE	1,500Vrms between line and earth for 1 minute				/
ISOLATION RESISTANCE	500Vdc 300Mohm between line and earth				/
LEAKAGE CURRENT	2 Max				mA
TEMPERATURE RISE	40 Max				°C
OPERATING TEMPERATURE	-25 ~ +85				°C

### BLOCK DIAGRAM

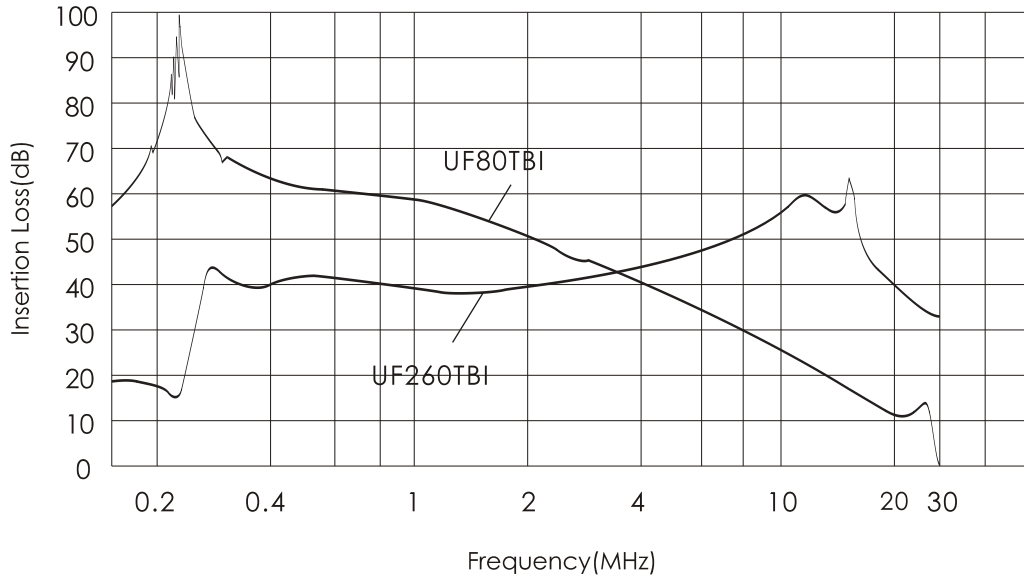


### DIMENSIONS(UNITS : MM)



Characteristic curve

A. COMMON MODE



B. NORMAL MODE

